

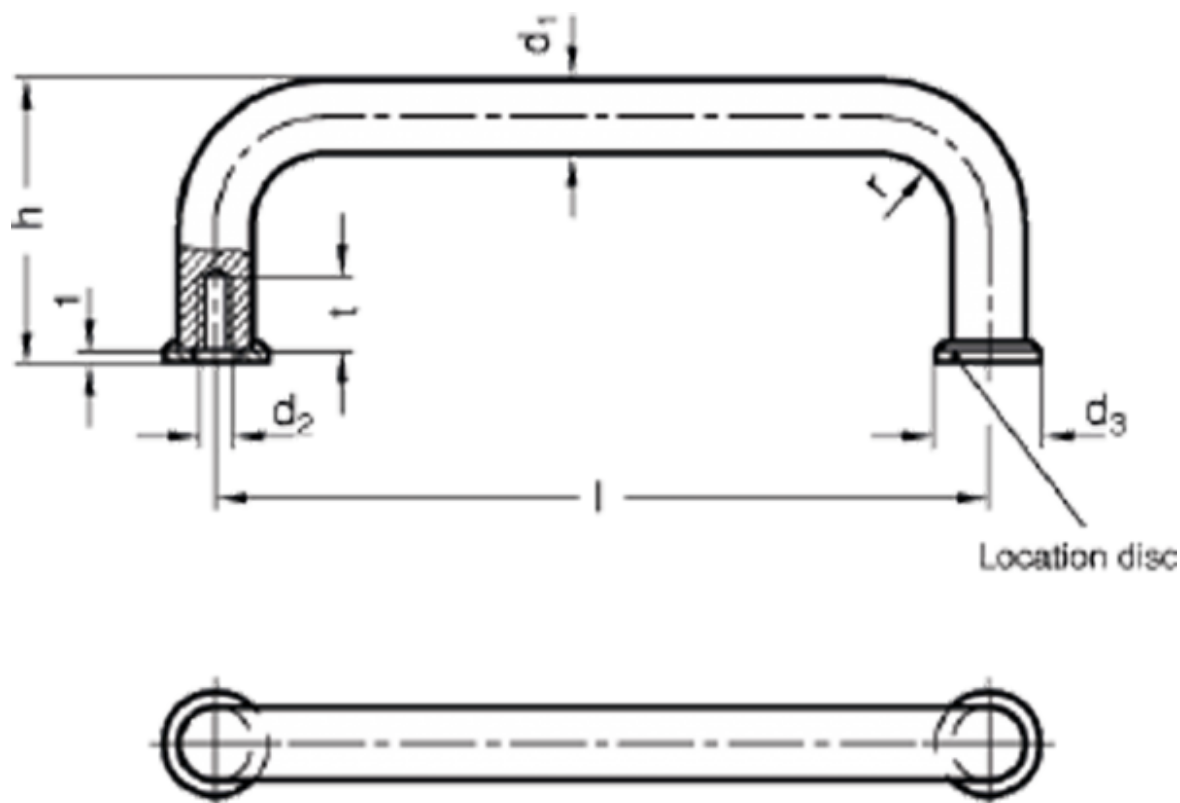
Data Sheet



Article number: 2042512250CR

Description: E+G U-handle GN 425-12-250-CR

Measures



$d_1 = 12$
 $d_2 = M6$
 $d_3 =$
 $h = 51$
 $l = 250$
 $r = 14$
 $t = 12$